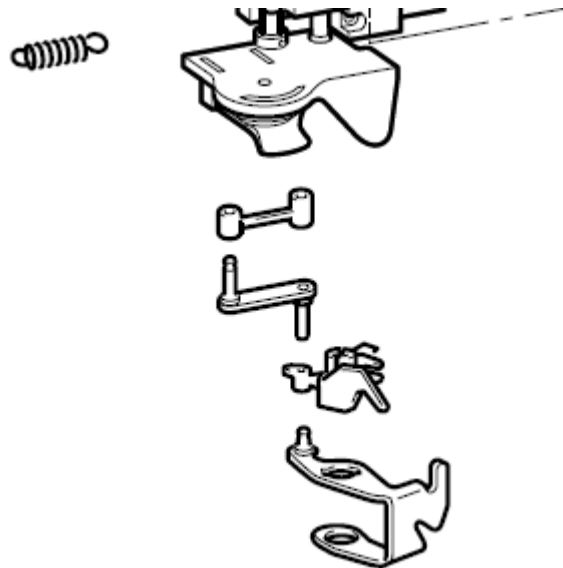


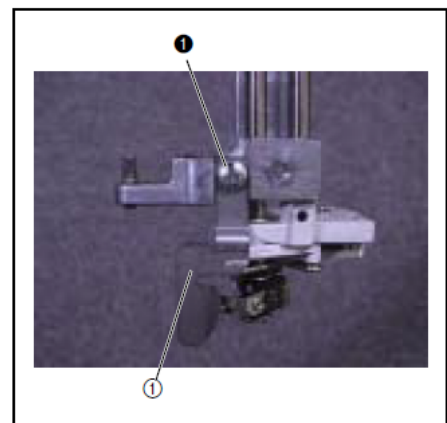
...die Einzelteile des Einfädlers in der Explosions-Zeichnung:



...so wird demontiert:

14 Hook release plate removal

1. Remove the screw ❶, and detach the hook release plate ❶.



15 Threader hook assy. disassembly

1. Remove the thread guide assy., threader hook assy., link A assy., and link B.

 [Start movie clip \(CD-ROM version only\)](#)



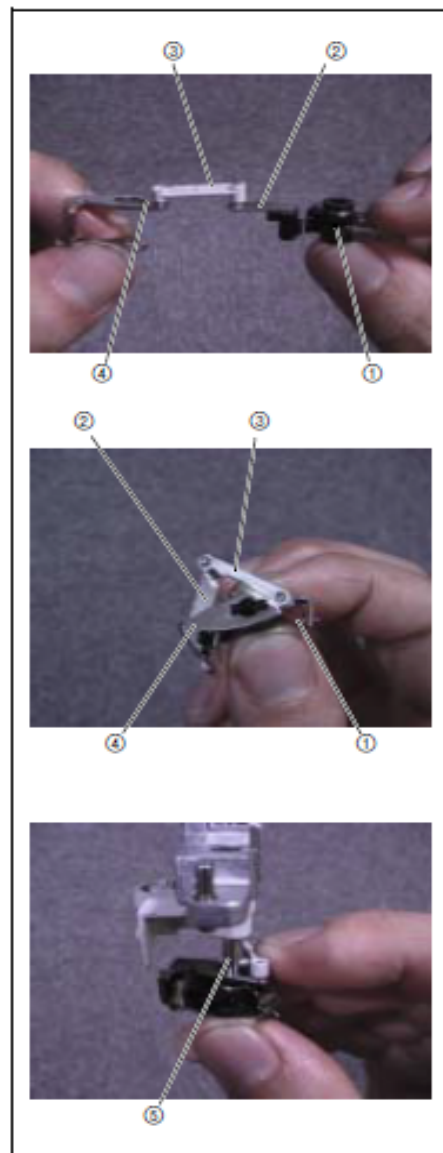
...und so wird wieder montiert:

14 Threader hook assy. attachment

1. Assemble the threader hook assy. ①, link A assy. ②, link B ③ and thread guide assy. ④.
2. Align needle thread shaft A ⑤ to the shape of the threader hook assy. ① shaft hole, and attach the threader hook assy. ① to needle thread shaft A.



Start movie clip (CD-ROM version only)



15 Hook release plate attachment.

1. Attach the hook release plate ① to the needle bar supporter assy. ② the screw ③.



Start movie clip (CD-ROM version only)

①		Screw, Blind M2.6X5 Color, Silver	Torque 0.29 – 0.49 N·m
---	---	---	---------------------------

